

## Installation, operation and maintenance instructions for emergency models CL-414 / CL-414C SLAVE/CON/MB

### IMPORTANT SAFEGUARDS

When using electrical equipment, basic safety precautions should always be followed including the following:  
**READ AND FOLLOW ALL SAFETY INSTRUCTIONS**

1. Do not use outside
2. Do not mount near gas or electric heaters. Equipment should be mounted securely in locations and at heights where it will not be readily subjected to tampering by unauthorized personnel.
3. The use of accessory equipment and replacement parts not recommended by the manufacturer may cause an unsafe condition.
4. Do not use this equipment for anything other than its intended purpose.
5. The AC voltage rating for this equipment is specified on the product label. Do not connect equipment to any other voltage.

**SAVE THESE INSTRUCTIONS**

Body: White polycarbonate house

Mounting: On ceiling over a junction box as specified in Figure1 or sidewall

Specifications:

- Mains supply: AC 120-240 V 60/50 Hz
- Input current: 14 mA
- Dual LED: (Normal operation/Standby operation: 1W)
- Self-contained Ni-Mh battery
- Charging time: 24h
- Protection category: IP42
- Autotest function
- Emergency runtime: 1 h
- Viewing distance: 30 meters
- C: Concealable



#### Daily test

battery voltage measurement

LED module check (1 second switch-on)

#### Monthly test (every 28 days)

• battery voltage measurement

• LED module check (1 second switch-on)

• if the test ended with failure, failure message indicated on the status LED.

#### Annual test (336 day - every twelfth month on the 28<sup>th</sup> day)

• battery voltage measurement

• LED module check (switching on for 60 minutes)

• In the 60. minutes, LED current is measured

• if the test ended with failure, failure message indicated on the status LED.

The time of the automatic tests is calculated from the first start of the lamp. The first monthly test will take place the 28th day.

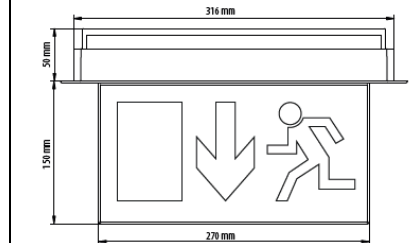
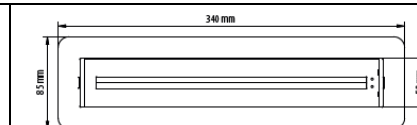
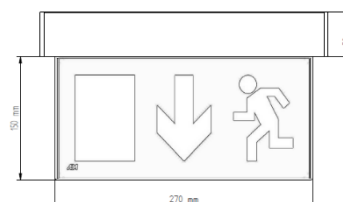
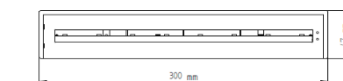
#### Battery replacement

Remove the faulty battery and wait at least 10 seconds before connecting the new battery. If the charge of the new battery reaches 0.5V, the battery fault will disappear and if the battery level does not reach 7.8V, the battery will start charging.

#### Status LED indications:

	Status LED colour	Number of flashes / 3 seconds
Emergency operation (network fault)	-	-
Battery has been charged	Green	Constant (continually green)
Battery charging (U > 8.2V)	Green	1 dot
Battery charging	Green	2 dots
Calibration error	Green	3 dots
Battery failure	Red	4 dots
LED error	Red	5 dots
Automatic annual test error	Red	6 dots
Automatic monthly test error	Red	7 dots
Annual test runs	Red	8 dots

#### Dimensions:



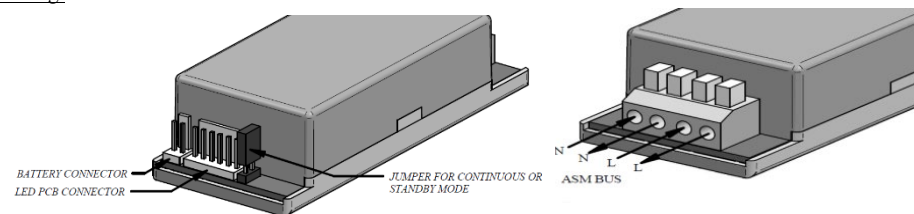
Use copper wire only

14-18 AWG, sol/str

Max.  $\varnothing$  2,5 mm<sup>2</sup>

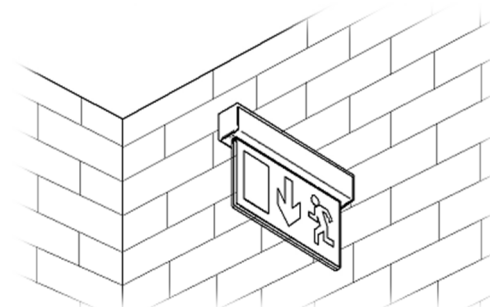
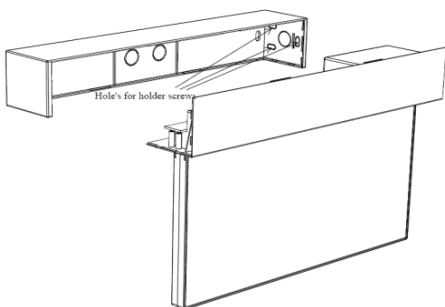
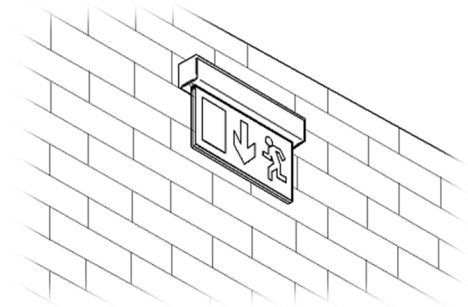
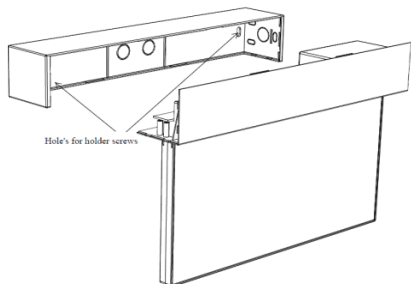


#### Wiring:

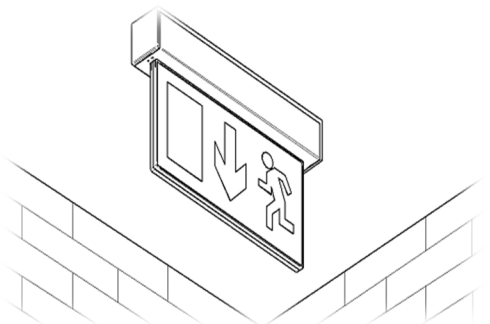
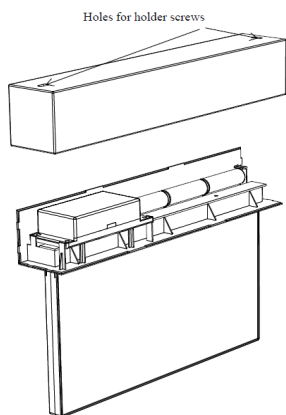


**Mounting methods:**

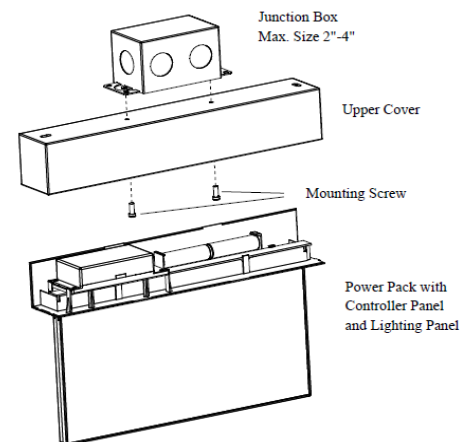
**On the sidewall:**



**On the ceiling:**



**Figure 1:**



**CAUTION!** The device works from mains supply. The mounting should be happened only with the supplied retainers.

**IMPORTANT!** Ensure that the battery is connected to the luminaire before connect the luminaire to the mains supply. In case of maintenance ensure that the device is disconnected from the power. The producer will not take the responsibility for the damages caused by improper usage. All serving should be performed by qualified service personel. The installation of this Emergency system shall be performed by an authorized personel who is qualified to perform the installation in accordance with ANSI/NFPA 101, "Life Safety Code," Article 700 of ANSI/NFPA 70, the NEC "National Electrical Code," the Federal, State & local municipal requirements and or any other requirements as applicable and as warranted.