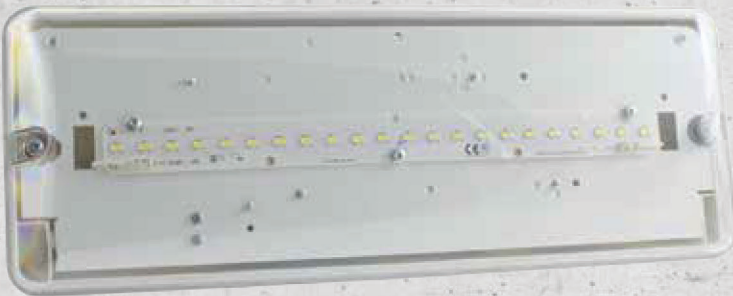


# IZAR 50



IP65



## BESCHREIBUNG | DESCRIPTION

strapazierfähige Sicherheitsleuchte für große Flächen

*robust emergency luminaire for large areas*

|  |   |
|--|---|
| <b>Schutzart</b><br><i>protection degree</i>   | IP65  |
| <b>Schutzklasse</b><br><i>protection class</i> | II  |
| <b>Gehäuse</b><br><i>housing</i>               | Polycarbonat, weiß<br><i>polycarbonate, white</i> |
| <b>Montageart</b><br><i>mounting</i>           | Deckenaufbau (DA)<br><i>ceiling mounting (DA)</i> |

|     |     |    |    |
|-----|-----|----|----|
| CPS | LPS | SC | LC |
|-----|-----|----|----|

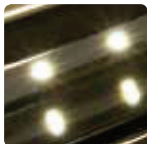
## TECHNISCHE DATEN | SPECIFICATIONS

| Versorgung<br><i>supply</i>                         | Anschlussspannung<br><i>supply voltage (AC/DC)</i> | Anschlussleistung<br><i>power rating (AC/DC)</i>                | Umgebungstemperatur<br><i>ambient temperature</i> | Leuchtmittel<br><i>illuminant</i>              | NiCd- / NiMh-Akku<br><i>NiCd / NiMh accu</i> | LiFePo4-Akku<br><i>LiFePo4 accu nur SC   only SC</i> |
|---|--|---|---|--|--|--|
| Zentralbatterie<br><i>central battery CPS / LPS</i> | 230 V / 216 V                                      | LOW-POWER:<br>9,5 VA / 6,5 W<br>HIGH-POWER:<br>18,0 VA / 15,5 W | -10° C <> +40° C                                  | LOW-POWER:<br>627 lm<br>HIGH-POWER:<br>1683 lm | -  | -  |
| Einzelbatterie<br><i>single battery SC / LC</i>     | 230 V / -  | 15,2 VA / -   | 0° C <> +40° C                                    | 401 lm   | 3 h / 8 h                                    | 3 h / 8 h  |

## OPTIONEN | OPTIONS



ICE -25°C\*

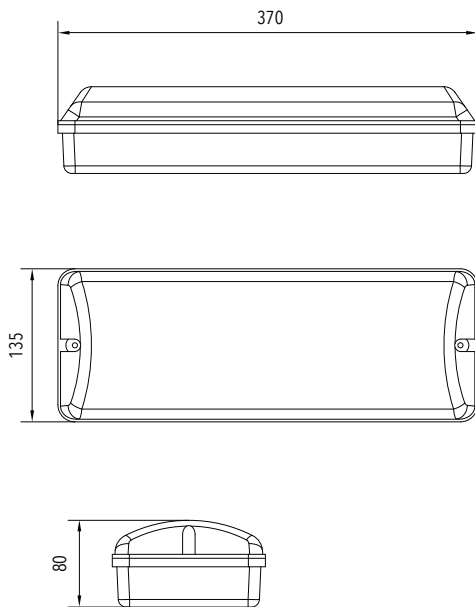


LOW POWER



HIGH POWER

## MABE | DIMENSION (mm)



## PROJEKTIERUNGSHILFEN | PROJECT PLANNING HELPS

### CPS LPS Zentralbatterieleuchte | central battery luminaire

| IZAR Z SO LP          |                                   |       | 627 lm | IZAR Z SO HP          |                                   |       | 1683 lm |
|-----------------------|-----------------------------------|-------|--------|-----------------------|-----------------------------------|-------|---------|
| Höhe<br>height<br>[m] | Abstand DA<br>distances DA<br>[m] |       |        | Höhe<br>height<br>[m] | Abstand DA<br>distances DA<br>[m] |       |         |
| 2,0                   | 4,30                              | 10,10 |        | 3,0                   | 6,90                              | 16,30 |         |
| 2,5                   | 4,70                              | 11,40 |        | 4,0                   | 7,90                              | 18,90 |         |
| 3,0                   | 5,10                              | 12,50 |        | 5,0                   | 8,70                              | 21,20 |         |
| 3,5                   | 5,60                              | 13,40 |        | 6,0                   | 9,40                              | 23,10 |         |
| 4,0                   | 5,80                              | 14,20 |        | 7,0                   | 9,90                              | 24,60 |         |
| 5,0                   | 6,00                              | 15,90 |        | 8,0                   | 10,30                             | 26,10 |         |
| 6,0                   | 6,30                              | 16,80 |        | 9,0                   | 10,60                             | 27,20 |         |
| 7,0                   | 6,60                              | 17,20 |        | 10,0                  | 10,70                             | 28,10 |         |
| 8,0                   | 6,60                              | 17,60 |        | 12,0                  | 10,90                             | 29,50 |         |
| 9,0                   | 6,10                              | 18,20 |        | 14,0                  | 10,40                             | 30,10 |         |
| 10,0                  | 5,60                              | 18,80 |        | 16,0                  | 9,70                              | 30,80 |         |
| 12,0                  | 4,00                              | 17,80 |        | 18,0                  | 8,40                              | 30,60 |         |
|                       |                                   |       | 20,0   | 6,20                  | 29,30                             |       |         |

### SC LC Einzelbatterieleuchte | single battery luminaire

IZAR E SO 401 lm / 3 h

| Höhe<br>height<br>[m] | Abstand DA<br>distances DA<br>[m] |       |  |
|-----------------------|-----------------------------------|-------|--|
| 2,0                   | 3,70                              | 9,10  |  |
| 2,5                   | 4,20                              | 10,10 |  |
| 3,0                   | 4,50                              | 11,00 |  |
| 3,5                   | 4,70                              | 11,90 |  |
| 4,0                   | 4,90                              | 12,70 |  |
| 5,0                   | 5,10                              | 13,30 |  |
| 6,0                   | 5,30                              | 13,90 |  |
| 7,0                   | 4,90                              | 14,40 |  |
| 8,0                   | 4,40                              | 14,90 |  |
| 9,0                   | 3,80                              | 14,70 |  |
| 10,0                  | 2,70                              | 13,90 |  |

## ZUBEHÖR | ACCESSORIES

| Bezeichnung   designation                            | Art.-Nr.   item no |
|--|--------------------|
| Ballschutzkorb BSK001<br>wire basket protects BSK001 | 5114000010         |



# IZAR AO



IP65



## BESCHREIBUNG | DESCRIPTION

strapazierfähige Sicherheitsleuchte für lange Rettungswege  
*robust emergency luminaire for long escape routes*

|  |   |
|--|---|
| <b>Schutzart</b><br><i>protection degree</i>   | IP65  |
| <b>Schutzklasse</b><br><i>protection class</i> | II  |
| <b>Gehäuse</b><br><i>housing</i>               | Polycarbonat, weiß<br><i>polycarbonate, white</i> |
| <b>Montageart</b><br><i>mounting</i>           | Deckenaufbau (DA)<br><i>ceiling mounting (DA)</i> |

|     |     |    |    |
|-----|-----|----|----|
| CPS | LPS | SC | LC |
|-----|-----|----|----|

## TECHNISCHE DATEN | SPECIFICATIONS

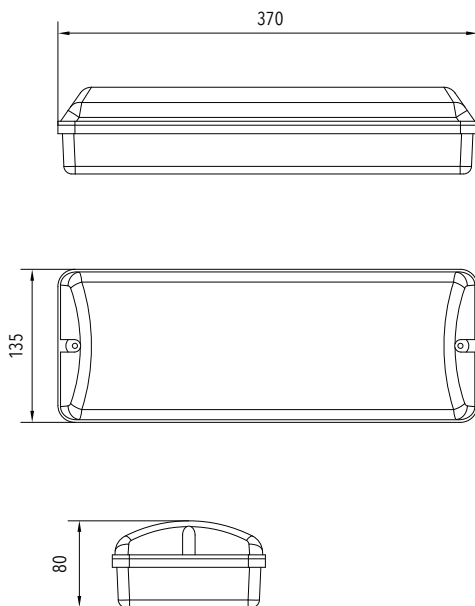
| Versorgung<br><i>supply</i>                         | Anschlussspannung<br><i>supply voltage (AC/DC)</i> | Anschlussleistung<br><i>power rating (AC/DC)</i> | Umgebungstemperatur<br><i>ambient temperature</i> | Leuchtmittel<br><i>illuminant</i> | NiCD- / NiMh-Akku<br><i>NiCd / NiMh accu</i> | LiFePo4-Akku<br><i>LiFePo4 accu nur SC   only SC</i> |
|---|--|--|---|-----------------------------------|--|--|
| Zentralbatterie<br><i>central battery CPS / LPS</i> | 230 V / 216 V                                      | 12,0 VA / 9,0 W                                  | -10° C <> +40° C                                  | 756 lm                            | -  | -  |
| Einzelbatterie<br><i>single battery SC / LC</i>     | 230 V / -  | 10,4 VA / -                                      | 0° C <> +40° C                                    | 359 lm                            | 3 h / 8 h                                    | 3 h / 8 h  |

## OPTIONEN | OPTIONS



ICE -25°C\*

MABE | DIMENSION (mm)



PROJEKTIERUNGSHILFEN | PROJECT PLANNING HELPS

CPS LPS Zentralbatterieleuchte | central battery luminaire

IZAR Z AO 756 lm

| Höhe<br>height<br>[m] | Abstand DA<br>distances DA<br>[m] |       |      |      |
|-----------------------|-----------------------------------|-------|------|------|
|                       | ⋯—                                | ⋯—⋯   | :    | :    |
| 3,0                   | 7,50                              | 17,90 | 8,90 | 2,80 |
| 4,0                   | 8,40                              | 20,70 | 9,00 | 2,00 |
| 5,0                   | 9,20                              | 22,80 | 7,30 | 2,10 |
| 6,0                   | 9,70                              | 24,50 | 5,70 | 2,30 |
| 7,0                   | 10,30                             | 25,90 | 5,90 | 2,50 |
| 8,0                   | 10,70                             | 27,10 | 6,30 | 2,60 |
| 9,0                   | 11,00                             | 28,30 | 6,70 | 2,80 |
| 10,0                  | 11,30                             | 29,30 | 7,10 | 2,90 |
| 12,0                  | 11,80                             | 30,80 | 7,80 | 3,10 |
| 14,0                  | 12,20                             | 32,00 | 8,40 | 3,20 |
| 16,0                  | 12,30                             | 33,10 | 8,80 | 3,20 |
| 18,0                  | 12,30                             | 34,00 | 9,10 | 3,10 |
| 20,0                  | 11,70                             | 34,50 | 9,20 | 3,00 |
| 22,0                  | 10,30                             | 34,80 | 9,10 | 2,70 |
| 24,0                  | 8,60                              | 34,70 | 8,80 | 2,00 |

SC LC Einzelbatterieleuchte | single battery luminaire

IZAR E AO 359 lm / 3 h

| Höhe<br>height<br>[m] | Abstand DA<br>distances DA<br>[m] |       |      |      |
|-----------------------|-----------------------------------|-------|------|------|
|                       | ⋯—                                | ⋯—⋯   | :    | :    |
| 2,0                   | 4,80                              | 10,90 | 6,40 | 2,60 |
| 2,5                   | 5,30                              | 12,90 | 6,70 | 2,00 |
| 3,0                   | 5,80                              | 14,10 | 6,40 | 1,80 |
| 3,5                   | 6,20                              | 15,20 | 5,60 | 1,40 |
| 4,0                   | 6,50                              | 16,10 | 4,90 | 1,40 |
| 5,0                   | 7,10                              | 17,60 | 4,10 | 1,60 |
| 6,0                   | 7,50                              | 19,00 | 4,30 | 1,80 |
| 7,0                   | 7,80                              | 20,10 | 4,60 | 1,90 |
| 8,0                   | 8,10                              | 20,90 | 4,90 | 2,00 |
| 9,0                   | 8,30                              | 21,70 | 5,20 | 2,10 |
| 10,0                  | 8,50                              | 22,30 | 5,50 | 2,10 |
| 12,0                  | 8,50                              | 23,30 | 5,90 | 1,90 |
| 14,0                  | 8,00                              | 24,00 | 6,00 | 1,60 |
| 16,0                  | 6,20                              | 24,20 | 5,90 | 1,20 |

ZUBEHÖR | ACCESSORIES

| Bezeichnung   designation                            | Art.-Nr.   item no |
|--|--------------------|
| Ballschutzkorb BSK001<br>wire basket protects BSK001 | 5114000010         |

